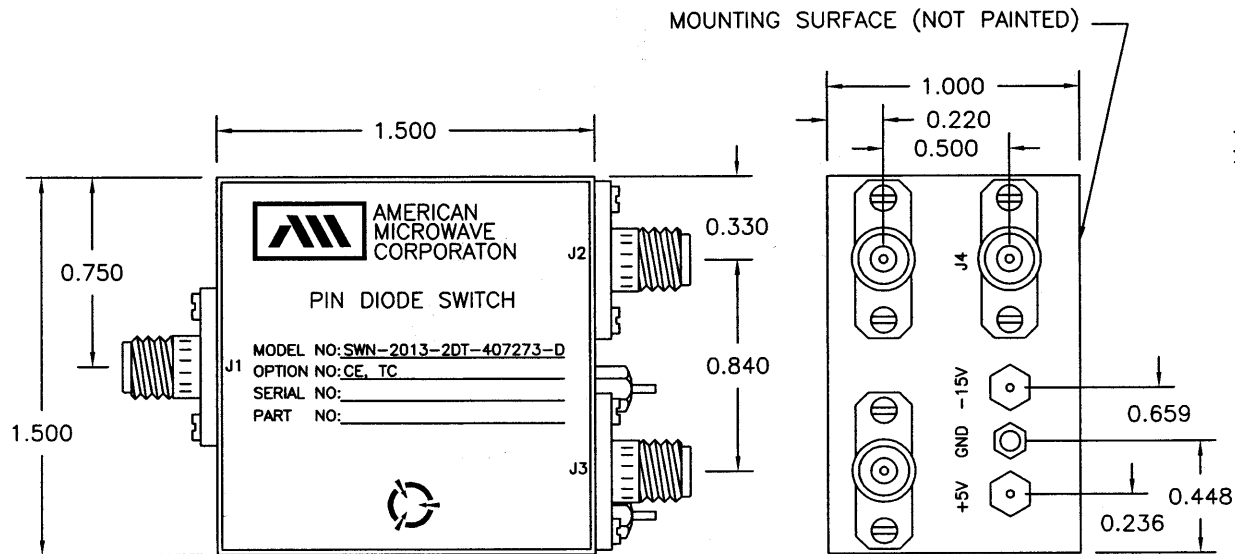


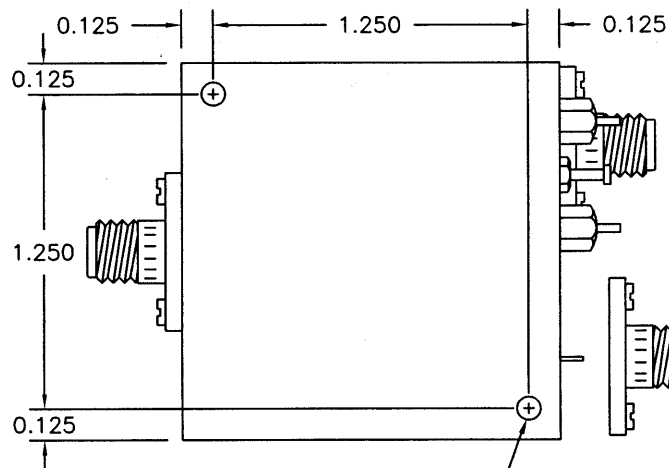
DESCRIPTION

AMC MODEL SWN-2013-2DT-407273-D OPTION: CE, TC IS AN ABSORPTIVE/NON-REFLECTIVE SINGLE POLE TWO THROW SWITCH MODULE DESIGNED TO OPERATE BETWEEN THE 2.1 TO 3.0 GHz FREQUENCY RANGE WITH HIGH ISOLATION AND LOW INSERTION LOSS.

REVISIONS				
ZONE	REV.	DESCRIPTION	DATE	APPROVED
-	-	ORIGINAL RELEASE JOB# 409215E	12/21/04	



MECHANICAL OUTLINE



REMOVABLE SMA FEMALE CONNECTOR
4 PLACES

#4-40 UNC-2B INSERT
x 0.20 MINIMUM DEPTH
2 HOLES

ALL DIMENSIONS ARE IN INCHES
TOLERANCES:
X.XX ±0.020
X.XXX ±0.010

AMERICAN MICROWAVE CORPORATION

7311-G GROVE ROAD
FREDERICK, MARYLAND 21704 USA
TEL: 301-662-4700 FAX: 301-662-4938
WEBSITE: www.americanmicrowavecorp.com
E-MAIL: sales@americanmicrowavecorp.com
ISO 9001:2000 CERTIFIED



APPROVALS		DATE	TITLE		REV.
DRAWN	<i>gdf</i>	12/21/04	MECHANICAL OUTLINE SWN-2013-2DT-407273-D OPTION: CE, TC 2.1 - 3 GHz, SINGLE POLE TWO THROW SWITCH		-
CHECKED	<i>[Signature]</i>	1/19/05	SIZE	FSCM NO.	DWG NO.
ISSUED			A	60483	100-7241
			SCALE	N:S	SHEET 2 OF 3

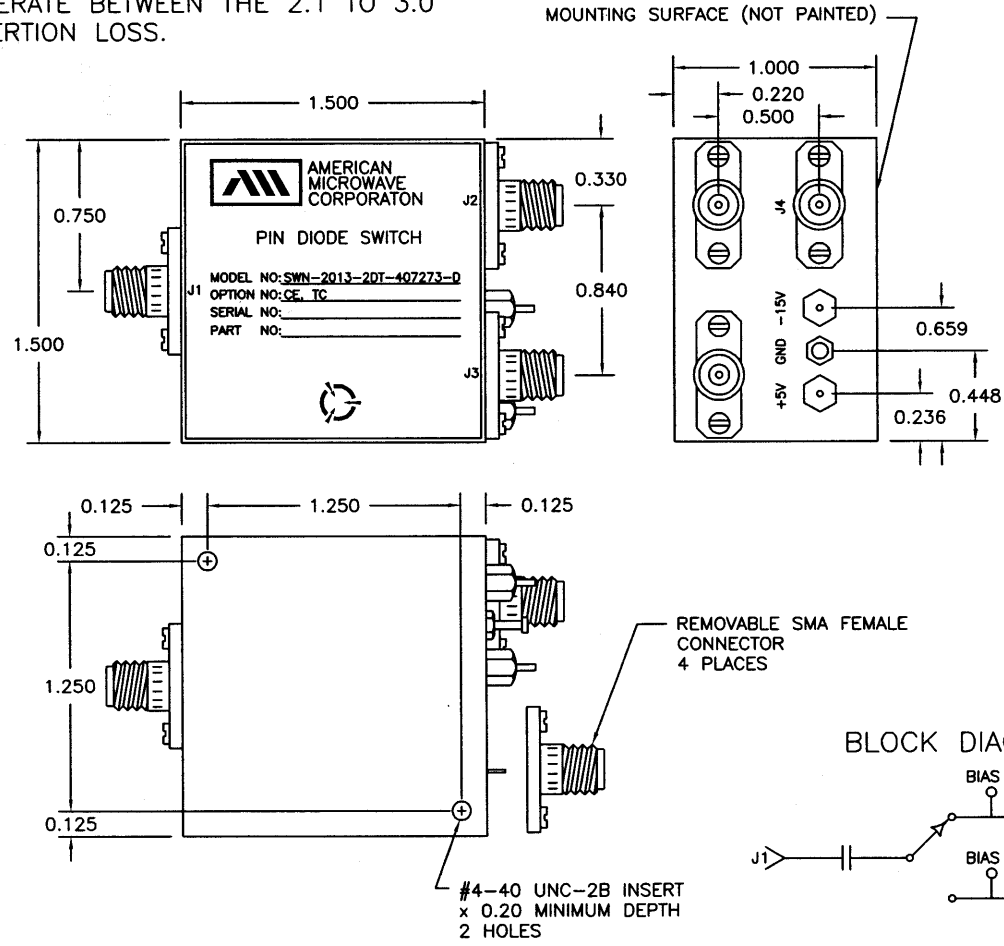
DESCRIPTION

AMC MODEL SWN-2013-2DT-407273-D OPTION: CE, TC IS AN ABSORPTIVE/NON-REFLECTIVE SINGLE POLE TWO THROW SWITCH MODULE DESIGNED TO OPERATE BETWEEN THE 2.1 TO 3.0 GHz FREQUENCY RANGE WITH HIGH ISOLATION AND LOW INSERTION LOSS.

REVISIONS				
ZONE	REV.	DESCRIPTION	DATE	APPROVED
-	-	ORIGINAL RELEASE JOB# 409215E	12/21/04	

SPECIFICATIONS

- FREQUENCY RANGE: 2.1 TO 3.0 GHz
- INSERTION LOSS: 1.4 dB MAXIMUM
- ISOLATION: 80 dB MINIMUM
- VSWR: 2.1-2.2 GHz: 1.6:1
 2.2-2.3 GHz: 1.5:1
 2.3-2.8 GHz: 1.35:1
 2.8-2.9 GHz: 1.5:1
 2.0-3.0 GHz: 1.6:1
- SWITCHING SPEED: 500 nSec MAXIMUM
- POWER INPUT: (CW)+20 dBm NOMINAL, ALL PORTS
- POWER INPUT (WITHOUT DAMAGE): +30 dBm CW
- CONTROL: TTL LOGIC "0" = J1-J2 ON
 TTL LOGIC "1" = J1-J3 ON
- POWER SUPPLY: +5V @ 100 mA MAXIMUM
 -15V @ 50 mA MAXIMUM
- CONNECTORS:
 RF: SMA FEMALE
 CONTROL: SMA FEMALE
- SIZE: 1.50" (L) x 1.50" (W) x 1.00" (H)



ENVIRONMENTAL RATINGS:

- TEMPERATURE: 0°C TO +70°C (OPERATING)
 -40°C TO +70°C (STORAGE)
- ALTITUDE: SEA LEVEL TO 1,000 FEET (OPERATING)
 30,000 FEET (NON-OPERATING)
- SHOCK: MIL-STD-810, METHOD 516.2, PROCEDURE V
- VIBRATION: MIL-STD-810, METHOD 514.2, CATEGORY H, PROCEDURE X
 FIGURE 514.2-7, CURVE AV
- SALT ATMOSPHERE: OPERATING AND NON-OPERATING CONDITION EXPOSURE
 TO SALT-SEA ATMOSPHERE
- HUMIDITY: OPERATION SHALL BE POSSIBLE AT RELATIVE HUMIDITIES RANGING
 UP TO 95% FOR BOTH CONTINUOUS AND INTERMITTENT PERIODS,
 INCLUDING CONDITIONS WHEREIN CONDENSATION TAKES PLACE
 IN THE FORM OF WATER AND ICE

NOTE: SPECIFICATIONS WILL VARY OVER OPERATING TEMPERATURE
 NOTE: THE ABOVE SPECIFICATIONS ARE SUBJECT TO CHANGE OR REVISION

ALL DIMENSIONS ARE IN INCHES
 TOLERANCES:
 X.XX ±0.020
 X.XXX ±0.010

AMERICAN MICROWAVE CORPORATION

7311-G GROVE ROAD
 FREDERICK, MARYLAND 21704 USA
 TEL: 301-662-4700 FAX: 301-662-4938
 WEBSITE: www.americanmicrowavecorp.com
 E-MAIL: sales@americanmicrowavecorp.com
 ISO 9001:2000 CERTIFIED



APPROVALS		DATE	TITLE		REV.
DRAWN <i>JDJ</i>		12/21/04	PRODUCT FEATURE SWN-2013-2DT-407273-D OPTION: CE, TC 2.1 - 3 GHz, SINGLE POLE TWO THROW SWITCH		-
CHECKED <i>PK</i>		1/9/05	SIZE	FSCM NO.	DWG NO.
ISSUED			A	60483	100-7241
			SCALE	N:S	SHEET 1 OF 3